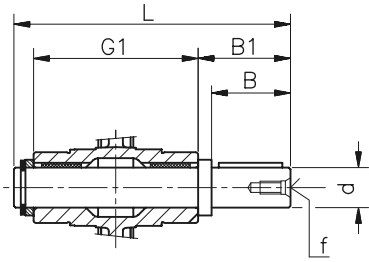
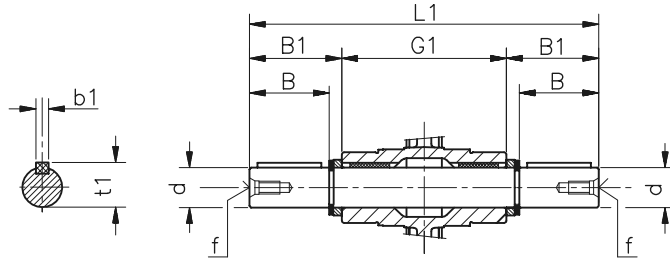


# Series W Gearboxes : Accessories

## OUTPUT SHAFTS



Single Extension

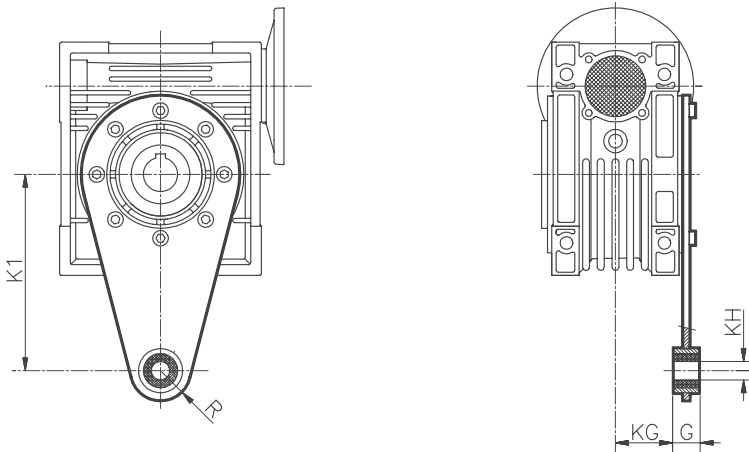


Double Extension

Unit Size	d h6	B	B1	G1	L	L1	f	b1	t1	Kg Single	kg Double
740*	11 g6	23	25.5	50	81	101	-	4	12.5	0.07	0.11
741	14	30	32.5	63	102	128	M6	5	16.0	0.14	0.16
742	18	40	43.0	78	128	164	M6	6	20.5	0.27	0.34
743	25	50	53.5	92	153	199	M10	8	28.0	0.60	0.75
744	25	50	53.5	112	173	219	M10	8	28.0	0.67	0.84
745	28	60	63.5	120	192	247	M10	8	31.0	0.94	1.20
746	35	80	84.5	140	234	309	M12	10	38.0	1.79	2.50
747	42	80	84.5	155	249	324	M16	12	45.0	2.70	3.44
749	45	80	85.0	170	265	340	M16	14	48.5	3.60	4.25

\*Alternative small shaft available on request contact your local Authorised Distributor.  
All dimensions in mm.

## TORQUE ARM DIMENSIONS

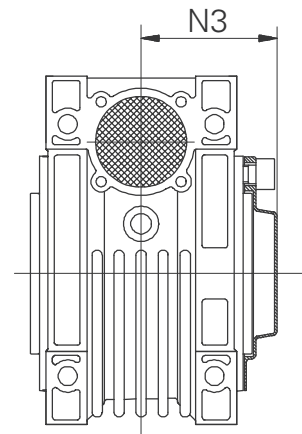


Unit Size	K1	G	KG	KH	R	kg
740	70	14	17.5	8	15	0.17
741	85	14	24.0	8	15	0.18
742	100	14	31.5	10	18	0.24
743	100	14	38.5	10	18	0.27
744	150	14	49.0	10	18	0.57
745	200	25	47.5	20	30	1.1
746	200	25	57.5	20	30	1.26
747	250	30	62.0	25	35	1.92
749	250	30	69.0	25	35	2.23

All dimensions in mm.

NOTE: Sizes 740 & 741 are not supplied with vibration resistant bushing

## OUTPUT HUB DIMENSIONS



Unit Size	N3
741	42.0
742	50.0
743	57.5
744	68.5
745	73.5
746	85.5
747	94.0
748	94.0
749	102.0
750	117.0